



BSN11064/2

2P 45A 1 G 1-WAY SWITCH+NEON 146MM

Updated at: 20-06-2024

VIEW ONLINE: <https://www.ave.it/catalog/en/product/bsn11064-2/>

TECHNICAL DATA ETIM

Nominal current	45
Nominal voltage	230
Method of operation	Other
Model	Off switch
Number of poles	2-pole
Connection type	Screwed terminal
Illumination	None
Colour housing	Grey
Surface protection	Untreated
Colour control elements	Red
Material quality	Thermoplastic
Material	Plastic
Number of control elements	1
Imprint/indication	Without imprint
Transparent	No
Surface finishing	Matt
With cover edge	No

COMMERCIAL DATA

Code EAN13	8008379151172
Standard packing	1,00
Minimum packaging	5,00
Code EAN13 min.pck.	8008379242962
Length min.pck.	185,00
Width min.pck.	160,00
Height min.pck.	95,00
Volume min.pck.	2,81
Weight min.pck.	1050,00
Quantity min. order	5,00
Reference Metel	2P 45A 1 G 1-WAY SWITCH+NEON 146MM

Product status

In Stock

AVE reserves the right to modify the characteristics of the products shown at any time and without notice. The installation must be carried out by qualified personnel in compliance with the provisions governing the installation of electrical equipment in force in the country where the products are installed. For the conditions of use of the information on the product sheet see conditions of use.

WARNING AND SAFETY INFORMATIONS

The Buyer is obligated to manage packaging with care and keep the material in an appropriate manner, in environments without humidity, and with a temperature not lower than - 5 °C and not higher than + 40 °C.

The Buyer is obligated to inform its own buyers of the conservation methods of the materials supplied by the company AVE S.p.A. The Buyer is obligated to sell the material in the original packaging without damaging it or, if this is not the case, to transmit to its own buyers the instructions that accompany the products by the supplier AVE S.p.A.

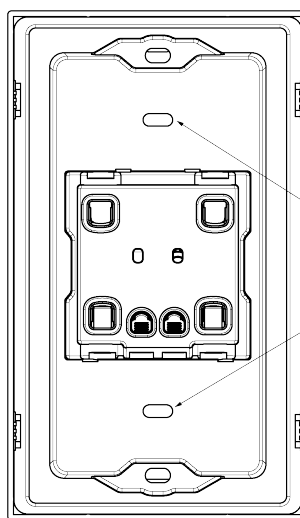
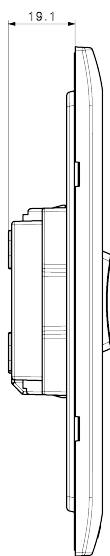
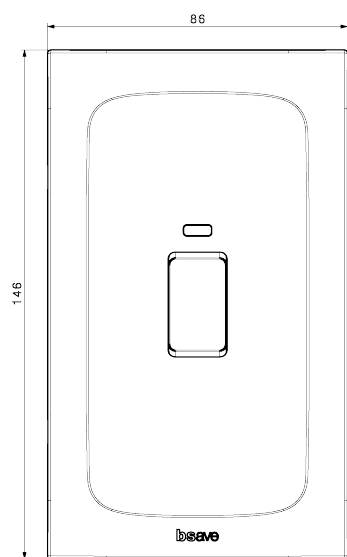
These instructions can be found also in catalogues, technical sheets, leaflets, inserts and on the company website (www.ave.it). The Buyer, in case of sales of AVE products in EU countries, is committed to ensure that the product instructions sheets in the AVE packaging, are available in the specific language of the destination country.

Should they not be available, the Buyer undertakes to ask AVE for the integration of the instructions sheets to include the said required language and/or symbols necessary for the export of goods or the Buyer commits himself to provide for them. If the Buyer opens the packaging before selling the products, it must make sure of the apparent integrity of the same products. In case of doubt, the products must not be sold. AVE S.p.A. products are made to be installed. Products and accessories must be installed by qualified personnel.

The products must be installed and used for their designated purpose and in conformity with the applicable standards for the various types of plants and also considering the catalogues specifications, the instruction sheets and the information published on the company website. Anyway, before using the installed products, it is necessary to have the entire plant tested by specialised personnel, to verify functionality and observance of the safety standards according to the laws in force.

AVE S.p.A. reserves the right to make changes and improvements to products illustrated in the catalogue and available in the price list, without giving prior notice, as a consequence of the constant updating process of production, technology and standards. On request, product sheets or other equivalent documentation is always available at the AVE S.p.A Technical Assistance Office. We recommend to consult the company





REV.01

